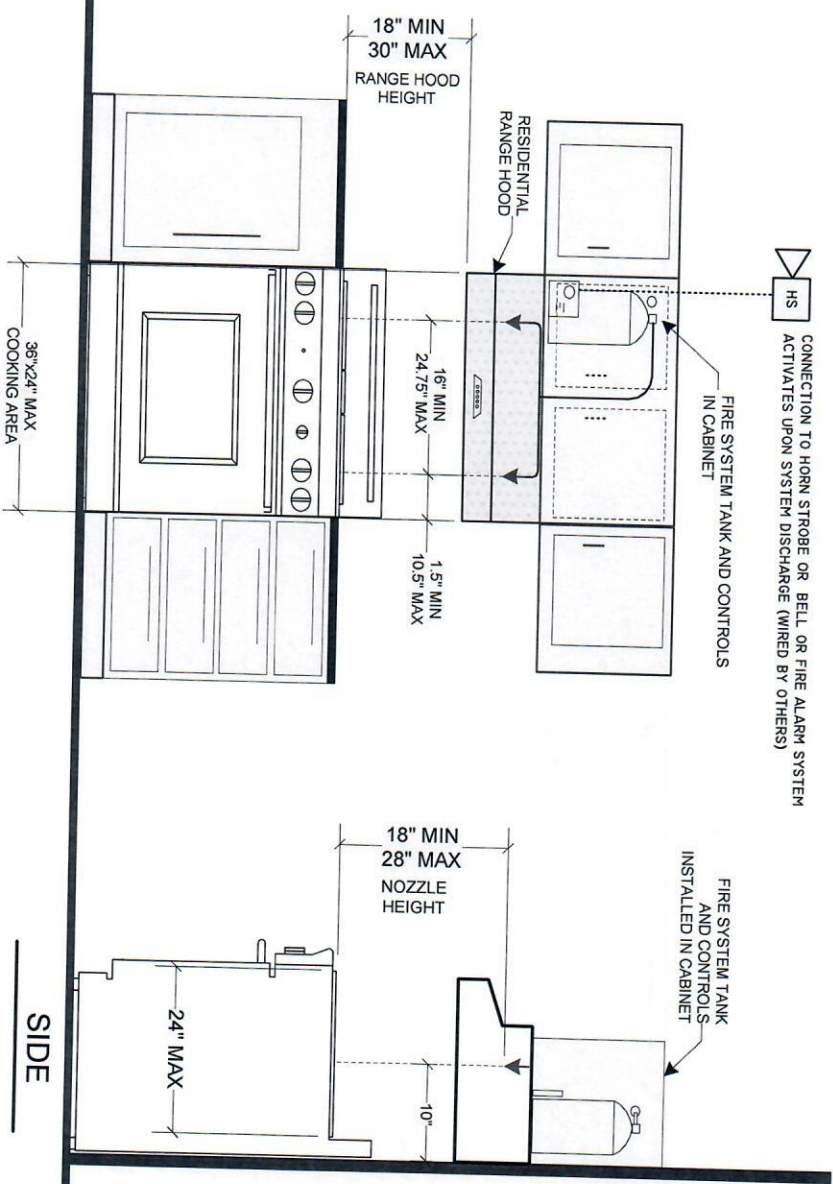


PLAN



SIDE

NOTE: FIRE SYSTEM WILL
SHUT OFF ELECTRIC
UPON DISCHARGE



MODEL 1384-B
RESIDENTIAL RANGE TOP EXTINGUISHER UNIT
UL FILE NO. EX 3940



1384-B
GUARDIAN
SAFETY SOLUTIONS INTERNATIONAL, INC.

SCALE	N/A	SHEET	1 OF 10
SIZE	DWG NO	DWG	REV

APPLICATION AND LIMITATION

GENERAL INFORMATION

- The Guardian 1384-B is designed to fit in standard kitchen range hoods and 12" or taller kitchen cabinets above the range.
- Guardian Systems can be installed in range hoods of either a duct-free or ducted design.
- The extinguisher kit and flex hose shall be installed within a cabinet or other protected space in accordance with these instructions.
- Only components identified by part numbers in this manual are authorized for use unless expressly stated otherwise.

RESIDENTIAL RANGE-TOP USE ONLY

- Guardian Systems are designed and tested for residential appliances and applications only.
- Guardian Systems are not intended for protection of commercial or restaurant-style appliances or cooking areas.
- The maximum range top cooking surface protected by the Guardian Systems is 864 square inches (a 36" X 24" range top).
- Guardian Systems are designed or intended to protect against or extinguish fires on nearby countertops or inside range ovens.
- Guardian Systems are designed or intended to protect against or extinguish fires on ranges that incorporate charbroilers, deep-fat fryers, rotisserie attachments or similar components.
- Guardian Systems are designed or intended to protect against or extinguish fires which may occur in electric or gas skillets, crock pots, deep-fat fryers or other commercial-type cooking appliances.

PACKING LIST

Check contents for missing or damaging parts (see Figures 2, 3, 4 and 5). Check fire extinguisher for proper operating pressure. Needle should point in the operable (green) zone. Report any damage or missing parts to the manufacturer before starting installation.

CAUTION:

DO NOT REMOVE SAFETY PIN FROM FIRE EXTINGUISHER AT THIS TIME!!!

NOTE:

Additional equipment or components necessary to install the system in accordance with the instructions and limitations listed are to be provided by the authorized installer, if not purchased with the basic system (i.e., electrical wire, wire mold, shut-off components, etc.). Additional equipment and components may be obtained from an authorized Guardian Safety Solutions International distributor or the manufacturer.

CLEAN UP AND MAINTENANCE

After the system has discharged, disconnect electrical appliances sprayed by the chemical. For electric ranges, breaker to range should be turned off. Use rubber gloves to protect skin. Use a sponge and warm soapy water to wipe off excess chemical. A damp cloth should be used in the final cleaning process. Do not use a water vacuum type cleaner.

CAUTION:

WHEN CLEANING THE KITCHEN RANGE HOOD OR WHEN YOUR GUARDIAN SYSTEM IS REMOVED, THE SAFETY PIN SHOULD BE REINSERTED INTO THE FIRE EXTINGUISHER VALVE ASSEMBLY. TO REACTIVATE THE SYSTEM, REMOVE THE SAFETY PIN.

NOTE: Always check for proper cable tension before removing the safety pin (see installation instructions Step 11).

Monthly, check nozzles for visual signs of obstruction. Check pressure gauge. If the needle points to the "recharge" or "overcharged" zone, contact an authorized Guardian Safety Solutions International representative immediately for service.

Annually, inspect all components, including fire extinguisher unit, appliance nozzles, cable, corner pulleys, tension spring, piping and detection links (replace standard fusible links annually). Keep the Guardian system free of cooking grease residue.

Every **Twelve (12) years** empty and hydrostatically test the fire extinguisher cylinder and flexible hose assembly to the marked pressure, per NFPA 17A. Replace the liquid chemical with new agent (P/N #G-BRK). Do not combine chemicals. Replace the tension spring (P/N 48410).

NOTE:

Before replacing the liquid chemical agent, the extinguisher cylinder, valve assembly, valve piping adapter, piping kit and nozzles must be thoroughly cleaned by flushing with water. It is recommended to wear approved type eye protection and rubber gloves when cleaning parts.

A complete system inspection and servicing must be accomplished immediately following a kitchen range top fire. Consult an authorized fire equipment company for service or proper procedure.

1384-B



GUARDIAN

SAFETY SOLUTIONS INTERNATIONAL, INC.



MODEL 1384-B
RESIDENTIAL RANGE TOP EXTINGUISHER UNIT
 UL FILE NO. EX 3940

SIZE	DWG NO	DWG		REV	
SCALE	N/A	SHEET		2 OF 10	

EXTINGUISHER AND BRACKET KIT COMPONENTS
(P/N 1384BCYL/CHARGED & 1384BEXT/SUB)

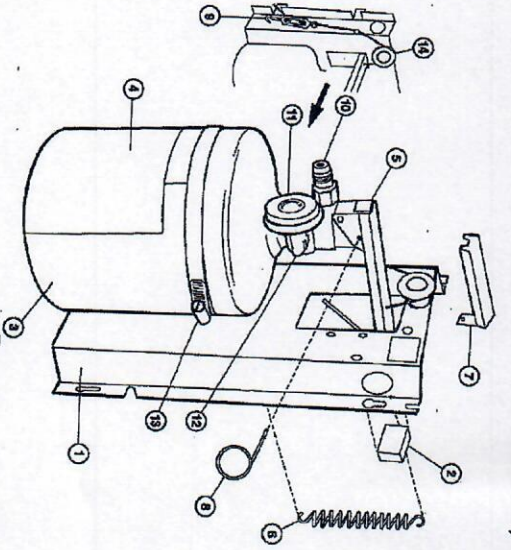


FIGURE 2

DESCRIPTION

The extinguisher kit consists of the pressurized storage cylinder for the chemical agent mounting bracket support assembly and other components identified with Figure 2.

LIMITATIONS: The extinguisher cylinder shall be installed in locations where the temperature will range between 32° - (-0° C) and 120° F (49° C). Never attempt to use the fire extinguisher as a hand held portable extinguisher.

CAUTION: Serious injury could result from misuse.

THE CHEMICAL AGENT USED IN THE GUARDIAN IS NOT REGARDED AS A TOXIC MATERIAL, BUT CAN CAUSE IRRITATION IF BREATHED IN SUFFICIENTLY HIGH CONCENTRATIONS, AVOID CONTACT WITH SKIN OR EYES. IN CASE OF CONTACT, FLUSH IMMEDIATELY WITH WATER. FOR 15 MINUTES. IF IRRITATION PERSISTS, CONTACT A PHYSICIAN IMMEDIATELY. CHEMICAL DEPOSITS ON ELECTRICAL CONTACTS CAN PREVENT OR REDUCE CONDUCTIVITY OF THE CONTACTS. ELECTRICAL POWER MUST BE SHUT OFF PRIOR TO TOUCHING ELECTRICAL APPLIANCES SPRAYED WITH THE CHEMICAL.

PARTS LIST

DESCRIPTION	QTY
1-Series "A" Mounting Bracket (P/N 34018-SW)	1
2-Mechanical Electrical Switch (P/N PCLCD-2A)	1
3-Series "A" Extinguisher Cylinder (P/N A0515-S)	1
4-UL Label (P/N UL 384-B)	1
5-Series "A" Valve Assembly (P/N BRHD)	1
6-Tension Spring (P/N 48410)	1
7 Handle Extension (P/N 21C0RYHDL-EXT)	1
8-Pull Pin, Ring Type (P/N A16235)	1
9-Cable Tension Adjuster (P/N 48888)	1
10-Flare Adaptor 3/8" X 5/8" (P/N 57500)	1
11-Pressure Gauge (P/N G303(C))	1
12-90° Pressure Elbow 900 X 118" (P/N 202P2-2)	1
13-Cylinder Band (P/N 21C1384A30175)	1
14-Mineral Bearing Pulley (P/N 21C1K89C1)	1

1384-B



MODEL 1384-B
RESIDENTIAL RANGE TOP EXTINGUISHER UNIT
UL FILE NO. EX 3940

SCALE	N/A	SHEET	3 OF 10
SIZE	DWG NO	DWG	REV

PIPING KIT COMPONENTS
(P/N 2 1C-ASSY/SS PIPE)

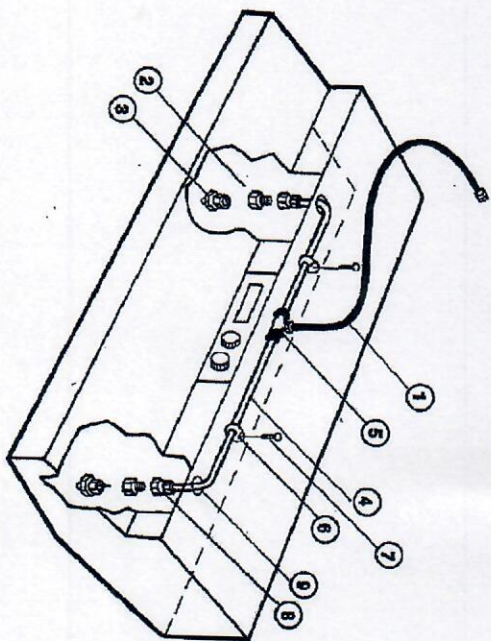


Figure 3

PIPING KIT

The piping kit consists of stainless steel tubing with a 90° bend, nozzle assemblies and other components identified with Figure 3. Hose assemblies shall not be modified. One (1) 3" diameter minimum loop can be formed in each length of hose for installations requiring unusual routing requirements.

Stainless steel tubing with a 90° bend is provided with the piping kit and shall not be modified. Tubing lengths may be reduced by cutting to fit various widths and configurations of range hoods; however, overall dimensions must not exceed the maximum lengths specified in this manual.

PARTS LIST (CONT'D)

DESCRIPTION	QTY
3-Appliance Nozzle Assembly (P/N 174701)	2
4-Stainless Steel Tubing, 3/8" 90° (P/N SSTUB-036-885)	2
5-Compression Tee 3/8" (P/N 48410)	1
6-3/16" Saddle Clamp (P/N CLAMP-1095-4PP)	2
7-Clamp Screw, #8 X 1" (P/N 48090)	8
8-Compression Female, 3/8 x 1/4" (P/N FEMAL-84GBUS)	2
9-Plug Flush Trim 7/8" (P/N Trim-I-7800)	2
1-Flex Hose 1/2" X 20' (P/N HOSE-57205)	1
2-Nozzle Swivel Assembly 1/2" (P/N 38275)	2

PARTS LIST

DESCRIPTION

QTY

1-Flex Hose 1/2" X 20' (P/N HOSE-57205)

1

2-Nozzle Swivel Assembly 1/2" (P/N 38275)

2

1384-B

GUARDIAN
SAFETY SOLUTIONS INTERNATIONAL, INC.



MODEL 1384-B
RESIDENTIAL RANGE TOP EXTINGUISHER UNIT
UL FILE NO. EX 3940

SCALE	N/A	SHEET	4 OF 10
SIZE	DWG NO	DWG	REV

DETECTION KIT COMPONENTS

Standard Electric P/N 21C/F-ELC/DET ASSY
 Standard Gas P/N 21C/F-GAS/DET ASSY
 Reusable Electric P/N 21C/R-ELC/DET ASSY
 Reusable Gas P/N 21C/R-GAS/DET ASSY

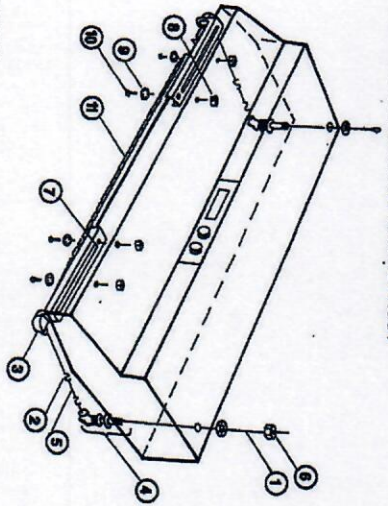


FIGURE 4

APPLICATION AND LIMITATION

The minimum number of links required is determined by the number of surface elements and the range top. Normally, four (4) links are required and provided with each Guardian unit. However, a maximum of two (2) additional links may be added to the system, provided the minimum separation distances are maintained as specified in this manual.

For applications where the maximum ambient temperature exceeds the rating for the 165° F link used for electric ranges, a higher rated link should be used. A variety of temperature ratings are available ranging from 160° F — 380° F depending on the maximum ambient temperature recorded under the range hood.

(Allowable Type of Range Top: Gas or Electric)

NOTE: The term "reusable" is defined as the acceptability of the bi-metal link to be tested using a moderate application of heat from a heat gun. Once the link is tripped, it may be reset. Links exposed to a fire shall be replaced.

DETECTION KIT

The detection kit consists of fire detection links which detect the presence of fire or excessive heat (generated by fire) under the range hood, interconnecting cable and chain, corner pulleys and other components identified with Figure 4. Cable lengths are preassembled to fit the detection kit. Cable should not be lengthened or shortened except as specified for in this manual. Four (4) metal corner pulley assemblies are provided, however, for special installations, two (2) additional corner pulleys may be used.

DESCRIPTION

- 1-Cable, 1/16" Stainless Steel (P/N KB306)
- 2-Hook, S-Style (P/N KB341)
- 3-Pulley, Corner 90-AS-MC Assembly (P/N CPUL-KB90AS)
- 4-Pulley, Rear 90-AS Assembly (P/N PUL-KB90AS)
- 5-Link, Fusible (Electric) 165 F (P/N E165) *
- Link, Fusible (Electric) 212 F (P/N E212) Standard
- Link, Fusible (Electric) 280 F (P/N E280) *
- Link, Fusible (Gas) 360 F (P/N G130) Standard
- Link, Reusable (Electric) 160 F (P/N RLINK-5720) *
- Link, Reusable (Electric) 171 F (P/N RLINK-5720-171) *
- Link, Reusable (Electric) 205 F (P/N RLINK-5270-205) *
- Link, Reusable (Electric) 220 F (P/N RLINK-5730-220) Standard
- Link, Reusable (Electric) 261 F (P/N RLINK-5720-261) *
- Link, Reusable (Electric) 280 F (P/N RLINK-5734-280) *
- Link, Reusable (Electric) 357 F (P/N RLINK-5720-357) *
- Link, Reusable (Gas) 370 F (P/N RLINK-5740) Standard
- 6-Nut, Cable (P/N CNUT-KB1 14)
- 7-Mounting Bracket, Detection Kit (P/N DKIT-BRKT)
- 8-Bolt 3/16" X 3/4" (P/N CBOLT 3/16" X 3/4") +
- 9-Washer, Locking #10 (P/N WSHR-34018C) +
- 10-Nut, Hex 10-24 (P/N 1024) +
- 11-Chain, 90 LB. (P/N CHAIN-96)

PARTS LIST

QTY.
1
8
2
2
2
4
4
4
4
4
4
4
4
4
4
4
4
1
2
4
4
1
2
4
4
1
1

* Optional Component
 + Supplied with Hardware Kit

1384-B



MODEL 1384-B
 RESIDENTIAL RANGE TOP EXTINGUISHER UNIT
 UL FILE NO. EX 3940

SAFETY SOLUTIONS INTERNATIONAL, INC.

SIZE	DWG NO	DWG	REV	
SCALE	N/A	SHEET	5 OF 10	

INSTALLATION INSTRUCTIONS

Before beginning installation of your Guardian unit, locate and identify each part (Figure 2, 3, 4 & 5). Turn off the electrical power supply to the kitchen range hood before boring holes. Wear approved safety goggles. Protect range top surface from falling debris. Comply with approved codes and ordinances when connecting gas or electric supply systems and fittings. Electrical wire and connections must conform to the rating of your appliances and equipment.

DO NOT USE ELECTRICAL EXTENSION CORDS FOR PERMANENT INSTALLATION!

ASSEMBLY TOOLS REQUIRED:

- Two (2) Adjustable Wrenches, 8 or 10 inch
- Pliers
- Standard Screwdriver
- Phillips Head Screwdriver
- Electric Drill
- 3/16" Drill Bit
- 7/8" Hole Saw
- Measuring Tape
- Center Punch
- Allen Wrench Set, including 1/8" and 7/64" Sizes

Note: To adjust pipe length, the following additional tools are required:

- Hack Saw
- Reaming Tool and File

With rangehood installed underneath cabinet, perform the following steps:

STEP 1 (Locate Holes)

Locate the best mounting location for the extinguisher and mounting bracket kit, either the left rear or right rear of the kitchen cabinet over the range hood. Mark the location of Hole C, Figure 7 (also, see Figures 8 and 9) in the rangehood. Mark the opposite rear corner pulley Hole D at approximately the same dimensions (Figure 7).

Locate the two nozzle/piping holes, A and B in the rangehood, so that the nozzles can be positioned between the front and rear burners (Figures 7, 8, and 13).

STEP 2 (Drill Holes)

Bore 3/16" pilot holes through rangehood and cabinet at the locations A, B, C and D identified in Step 1. Check the clearances around the filter elements, range hood lights, etc. Make sure ample room has been provided to adjust the cable turnbuckle. Then drill four (4) 7/8" at the pilot hole location through the cabinet bottom and range hood (Figures 7 and 8), for holes A, B, C and D.

STEP 3 (Rear Corner Pulley Installation)

Install rear corner pulley assemblies using flat washers and locknuts provided (Figure 10). Position is identified as Holes C and D in Figures 7 and 8.

NOTE: Looped end of the cable must correspond to the extinguishing and mounting bracket kit location — left or right side of the kitchen cabinet (See Figure 6).

STEP 4 (Front Corner Pulley Installation)

Position the front detection kit mounting brackets with the attached corner pulleys as close as possible to the front and outside edge of the range hood. Mark the location of the bolt holes (Figures 6 & 8).

NOTE: Corner pulleys shall be adjusted so that the cable does not touch the outer edges.

Drill four (4) 3/16" holes in the front face of the rangehood as shown in Figure 8. Attach the detection kit mounting brackets with the bolts, lock washers and nuts provided. (See Figure 8)

STEP 5 (Fire Detection Kit Installation)

A minimum of 1 1/2" clearance must be maintained between the nearest cable S-hook and the horizontal or vertical corner pulleys in the direction of cable movement when system is activated. Cable must be free to move 1 1/2" in the direction indicated without restriction. Angle the rear corner pulleys so that the cable enters and exits in the center of the pulley opening. (See Figure 6)

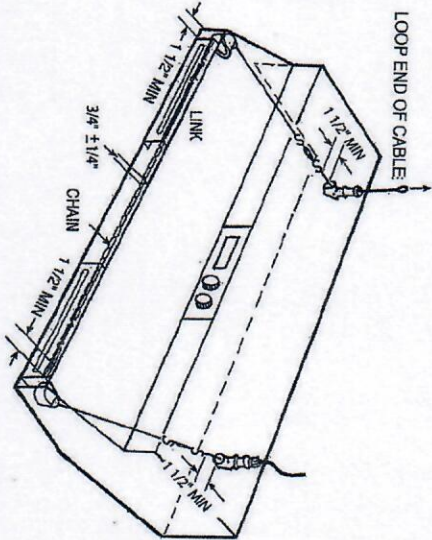


FIGURE 6

1384-B

GUARDIAN
SAFETY SOLUTIONS INTERNATIONAL, INC.

MODEL 1384-B

RESIDENTIAL RANGE TOP EXTINGUISHER UNIT

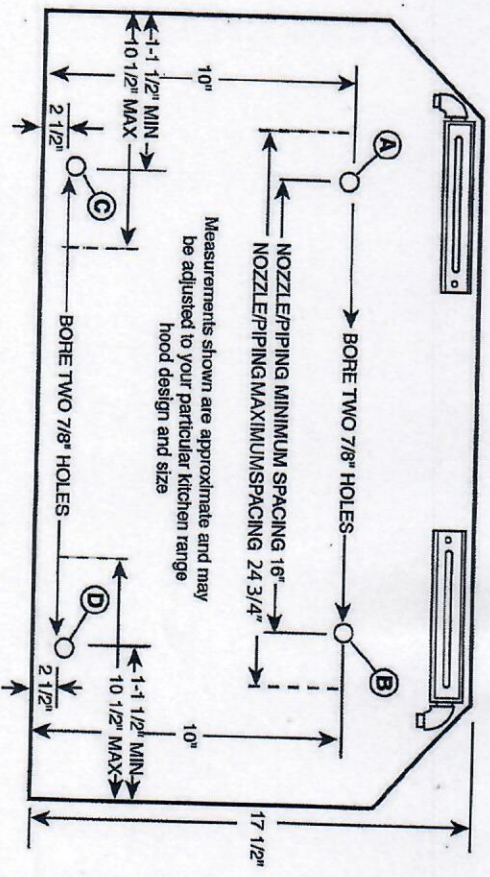
UL FILE NO. EX 3940



SIZE		DWG NO		DWG		REV	
SCALE		N/A		SHEET		6 OF 10	

FIGURE 7

FRONT

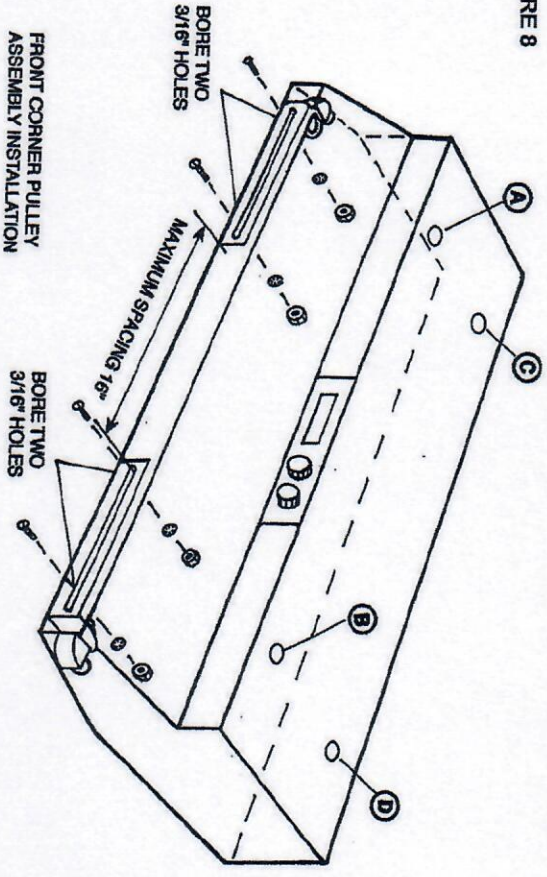


NOTE: Front and rear corner pulley assemblies should be located so that individual fire detectors can be positioned directly over the kitchen range heating element. Corner pulleys shall be adjusted so that the cable does not touch the outer edges.

NOTE: Measurements shown are approximate and may be adjusted to your particular kitchen range hood design and size.

Pipe assemblies should be adjusted approximately 1/4" longer (1/8" per side) than the center line of the pipe holes to accommodate the 90° bend.

FIGURE 8



1384-B

GUARDIAN
SAFETY SOLUTIONS INTERNATIONAL, INC.



MODEL 1384-B
RESIDENTIAL RANGE TOP EXTINGUISHER UNIT
UL FILE NO. EX 3940

SCALE		N/A		SHEET		7 OF 10	
SIZE	DWG NO	DWG	REV				

STEP 6 (Extinguisher Kit Mounting)

Insert the extinguisher and bracket kit in the desired location at the rear of the kitchen cabinet (left or right side). Attach with the mounting screws provided (Figure 9).

NOTE: Make sure the ball bearing wheel, cable guide and micro switch have been properly positioned to match up with the rear corner pulley assembly (left or right side mounting).

Spacer tabs are provided for proper positioning of the extinguisher bracket for cabinets with or without top or bottom header boards.

NOTE: The ball bearing wheel, cable guide and/or micro switch may be located on either the left or right side of the mounting bracket for ease of installation.

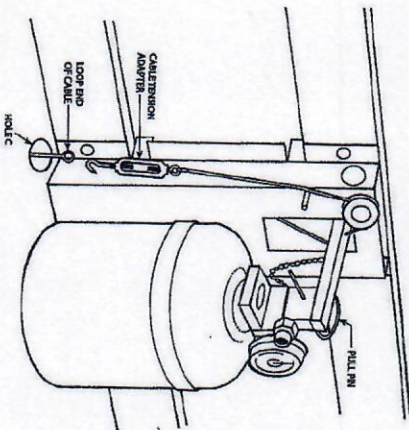


FIGURE 9

STEP 7 (Detection Kit Adjustments)

Place the looped end of the detection kit cable on the hook of the cable tension adjuster through Hole C (See Figure 9). Use an S-hook if necessary and make sure the turnbuckle is fully extended.

Adjust the detection kit chain between the two front fusible links so that the links are in the proper position (Figure 6 and Figure 12). After final adjustments have been made, excess chain should be removed.

Pull excess cable through the cable nut until all slack is removed and secure tightly with the set screw (See Figure 10). Make sure the fire detectors (fusible or reusable links) align according to Figures 6 and 12. If necessary, you may use extra S-hooks to adjust proper spacing, however, no more than two (2) S-hooks may be connected consecutively.

NOTE: When extra S-hooks are installed, they should be crimped tightly closed with pliers.

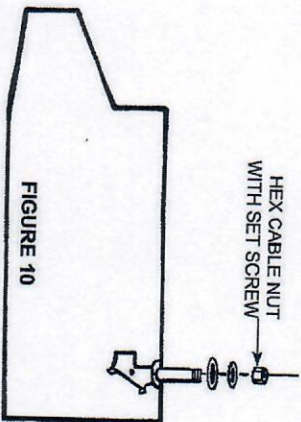
STEP 8 (Piping Kit Adjustments)

NOTE: Ferrules cannot be repositioned after tightening. Therefore, it is recommended that the piping assembly be loosely assembled and checked for proper fit before tightening the fittings.

Piping Kits are shipped pre-cut, however, if required, stainless steel tubing may be cut at either end to fit the installation requirements. Cut stainless steel tubing to fit the piping holes (Figures 7 and 8). Measure tubing 1/4" longer than the center line of the holes (1/8" longer per side) to accommodate the 90 bend. However, overall length (O.A.L.) for each tube section must not exceed the minimum or maximum dimensions listed in Figure 11. Tubing on each side of the compression tee should be cut in equal lengths so that the tee is centered between nozzles. When the tubing is cut, make certain all ends are reamed and cleaned of all burrs prior to installation. To ensure proper flow of wet agent through the tubing, it is important that the internal surfaces of tubing are free of any foreign matter. To preset ferrule, insert the tube end into the fitting until it butts against the shoulder and screw the nut down finger tight. All tube joints must be disassembled and inspected for proper make-up before final assembly. Reassemble for final installation by inserting the tube into the fitting body and wrench the nut down easily until a sudden increase in torque is evident. From this point turn the nut an additional 1/4 to 1/3 turn (1 1/2 to 2 wrench flats) to again spring the ferrule into place to seal against the tubing and the fitting body.

STEP 9 (Piping Kit Installation)

Install piping into front Holes A and B (Figure 8) and secure with stauf clamps and screws provided. Attach the flexible hose swivel nut to the brass piping adaptor on the extinguisher. Place a wrench on the hex surface of the valve piping adaptor and a wrench on the hose swivel nut for tightening. Do not attempt to tighten or remove the hose swivel nut without a wrench on the valve piping adaptor. (See Figure 2, Item 10)



1384-B



GUARDIAN

SAFETY SOLUTIONS INTERNATIONAL, INC.

MODEL 1384-B

RESIDENTIAL RANGE TOP EXTINGUISHER UNIT

UL FILE NO. EX 3940



SIZE		DWG NO.		DWG		REV	
SCALE		N/A		SHEET		8 OF 10	

STEP 10 (Nozzle Attachment)

Attach appliance nozzles and swivel assemblies to the pipe protruding through the underside of the range hood. Loosen the locking nut on the swivel assemblies, aim and align nozzles pointing between burners, then tighten the nuts to lock the nozzles in place. See Figure 13 for aiming the appliance



FIGURE 11

NOTE: All pipe cuts must be reamed and deburred before assembly.

STEP 11 (Arming System)

To arm your Guardian system, turn the cable tension adjuster until the cable is tensioned and the fire extinguisher handle moves slightly upward (about 1/4"). The safety pull pin should slide in and out freely. When properly adjusted, the cable tension will be 14-15 lbs. (See Figure 9).

CAUTION: Too much cable tension may rearrange the prepositioned link assembly. Too little cable tension may cause the Guardian to prematurely activate when you remove the safety pull pin.

NOTE: Do not remove the safety pull pin from the valve assembly until installation of the Guardian system is complete, including any optional accessories. To remove the safety pull pin, cut the plastic safety seal and pull the pin out completely.

THE GUARDIAN IS ARMED AFTER REMOVAL OF THE SAFETY PIN.

TARGET AREA FOR APPLIANCE NOZZLES

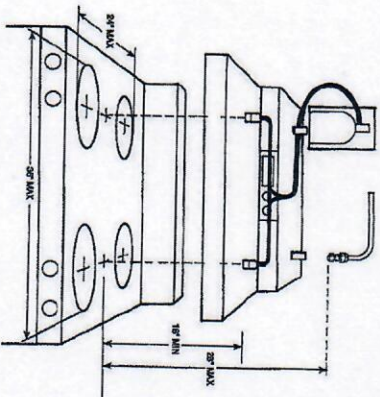


FIGURE 12

TARGET AREA FOR INSTALLATION OF FIRE DETECTION LINKS (TYPICAL TO MOST KITCHEN RANGES)

Center each fire detection link directly over each kitchen range heating element. Should the size and type of your kitchen range prevent centering, you may position a detection link no more than one (1) inch from the edge of a kitchen range element.

Distance from the detection links to the kitchen range top cooking elements shall not exceed 26 1/2" inches.

FAILURE TO FOLLOW THIS PROCEDURE MAY DELAY ACTIVATION OF THE GUARDIAN AND PREVENT EFFECTIVE EXTINGUISHING.

Aim appliance nozzles at the center point between the front and rear kitchen range heating elements. Distance from the appliance nozzles to the range top surface shall not be less than 18 inches or more than 28 inches.

FAILURE TO FOLLOW THESE PROCEDURES MAY RESULT IN INADEQUATE COVERAGE OF EXTINGUISHING AGENT OVER BURNER AREAS.

1384-B

GUARDIAN
SAFETY SOLUTIONS INTERNATIONAL, INC.



MODEL 1384-B
RESIDENTIAL RANGE TOP EXTINGUISHER UNIT
UL FILE NO. EX 3940

SCALE		N/A		SHEET		9 OF 10	
SIZE	DWG NO	DWG		REV			

ACCESSORIES

Guardian Safety Solutions International offers a complete line of optional accessories and shutoff devices listed for use with the Guardian Model 1384-B. (Assembly and wiring instructions are provided with each optional accessory.) Consult your GSSI representative for current models available.

OPTIONAL AUDIBLE ALARM (P/N 21C1W31T)

DESCRIPTION

Audible Alarm: 120-volt alarm to warn occupants when the Guardian is activated. (P/N 21C1W31T)

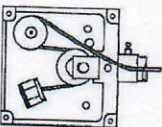
OPTIONAL REMOTE MANUAL RELEASE (P/N 21C/PULL R800155)

APPLICATION AND LIMITATIONS

A remote manual release system (manual pull station) is available where local fire codes or circumstances require the capability to manually activate the range top extinguisher system. Manual activation of the system will cause the extinguisher unit to fully discharge extinguishing agent, shut off the range top burners and activate an alarm or other electrical accessory. Once activated, the automatic sequence cannot be interrupted.

The manual pull station is installed at a height not exceeding 60" from the floor and should be located in the path of exit. Avoid locating the manual pull station where the occupant would have to reach over the range top cooking elements to activate the system. (Some jurisdictions require certain distances.) Only Manual Pull Station (P/N 21C/PULL R80015) shall be used.

FIGURE 20



INSTALLATION INSTRUCTIONS

NOTE: Before starting, reinstall safety pull pin in valve assembly. (See Step 11 Procedure).

1. Determine the best location for the manual pull station box. The location must be accessible with a maximum of seven (7) additional corner pulleys and a maximum of twenty-nine (29) additional (29) of conduit. The manual pull station is usually located opposite the extinguisher kit. Adjust the extinguisher kit mounting accordingly — on the right or left side of the range hood (See Figure 22).
2. Attach a corner pulley to the rear corner pulley piping opposite the extinguisher kit. The manual release system cable will be an extension of the detection kit cable. The manual pull station replaces the cable nut.

3. Install conduit and additional corner pulleys as necessary to reach the manual pull station box. All cable must be fully enclosed in rigid conduit from the detection kit rear pulley to the manual pull station box (conduit must be provided by installer). A looped end on the cable attaches to the S hook between the last link and rear corner pulley assembly.

NOTE: Make sure both cable ends are crimped and all "S" hooks closed. Total length of conduit (all sections) must not exceed (29' 7") feet. Total number of corner pulleys added to the detection kit must not exceed seven (7).

4. Remove the manual pull station cover plate and pulley assembly. Route the cable around the floating pulley and mount pulley assembly in the pull station box. Secure the cable end with the cable nut provided. (See Figure 20)

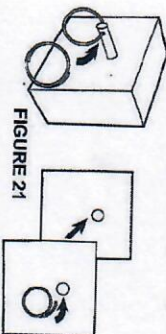


FIGURE 21

NOTE: See Installation Step 6 (Detection Kit Adjustments), Page 10 in this manual.

5. Insert the pull pin to lock the floating pulley in position before attaching the pull pin ring or replacing the cover plate. Adjust the cable length to properly align the fire detectors and tighten the cable nut allen set screw.
6. After the extinguisher system installation is complete and final adjustments have been made, replace the manual pull station cover plate, insert the pull ring into the pull pin and install the tamper seal. (See Figure 21)

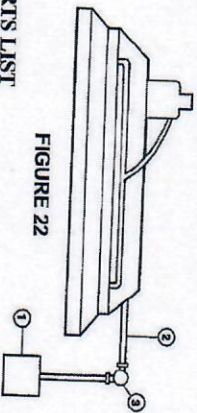


FIGURE 22

PARTS LIST

DESCRIPTION	QUANTITY
1- Remote manual release assembly (P/N R800155)	1
2- 1/2" Conduit (Supplied by installer)	(29' 7") max
3- Corner pulley (P/N KB9CAs)	(7) max

1384-B

GUARDIAN
SAFETY SOLUTIONS INTERNATIONAL, INC.



MODEL 1384-B
RESIDENTIAL RANGE TOP EXTINGUISHER UNIT
UL FILE NO. EX 3940

SIZE	DWG NO	DWG	REV
SCALE	N/A	SHEET	10 OF 10